

● KGS 801



■ Enhanced Features

- Smaller size
- Significantly increased HMDS(silicone) resistance
- Significantly increased H2S inhibition resistance
- Excellent shock resistance and reduced orientation effects
- Reduced response time and wake up times

■ Specifications

Gases Detected	Most combustible gases
Range	0 ~ 100% LEL
Operating Voltage	3.0 V
Current	76 ± 6 mA
Output Sensitivity	24 ± 5 mV / % methane
Zero Offset Voltage	-20 ~ 20 mV (23 ± 2°C, 60% RH)
Linear to	3% methane
T <sub>90</sub> Response Time	< 10 seconds (methane)
Long Term Sensitivity Drift	< 5% signal / month
Long Term Zero Drift	< 5% LEL (methane)/ month
Warranty Period	1 year from date of despatch

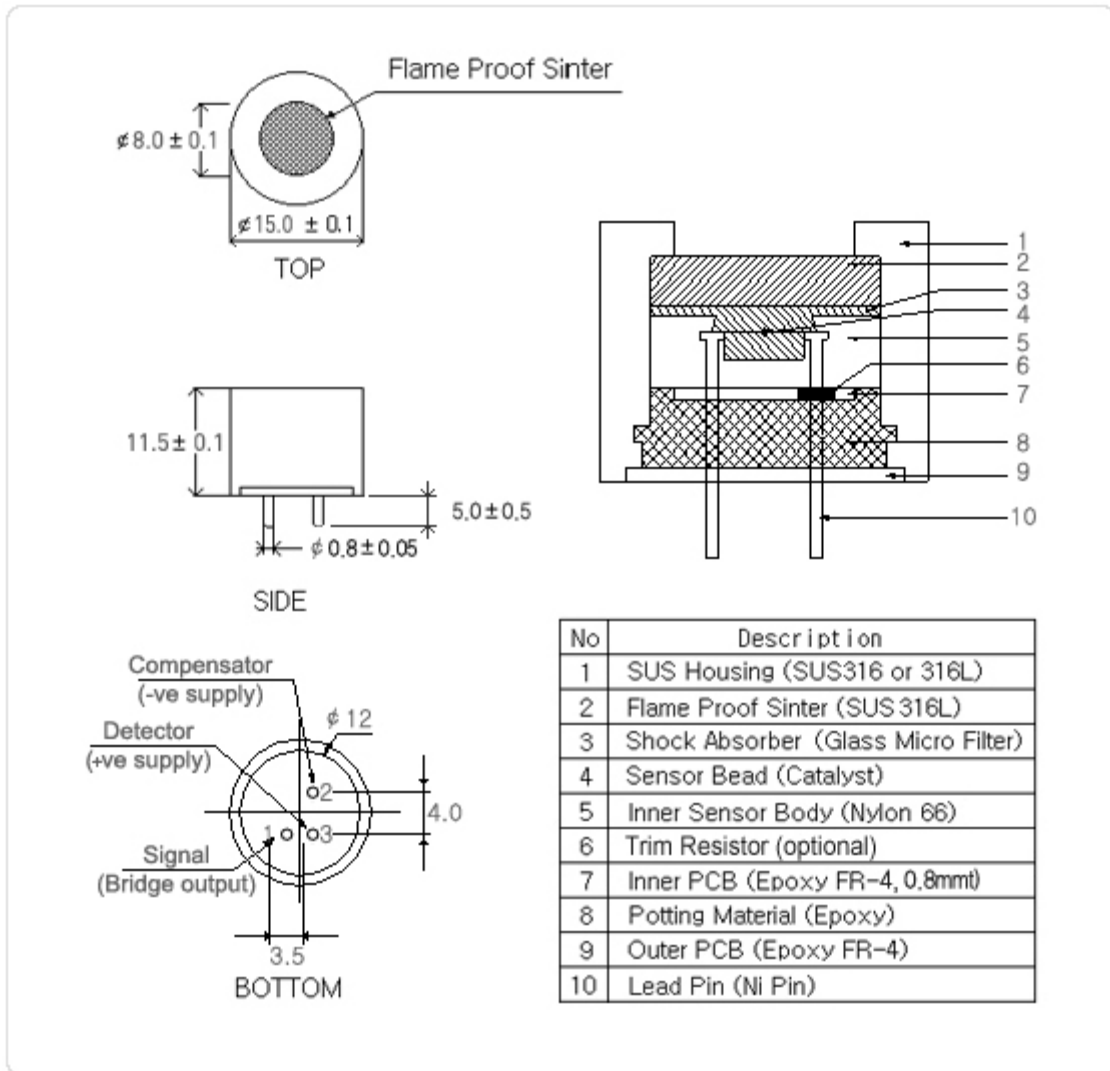
\* Flow rate of 300ml/min. Conditions at 23 ± 2 °C, 60% RH, and 1 atm unless otherwise noted.

■ Relative Sensitivity

Gas	Relative Sensitivity
Methane	100
Propane	70
Iso-butane	65
Pentane	60

\* The results are intended for guidance only at the same %LEL concentration.

■ Structure and Materials



■ Product Approval

**UL**  
 Approval Body : Underwriters Laboratories Inc.  
 Test Standard : UL 913  
 Product Categories : Class 1, Division 1, Groups A, B, C, D  
 Certificate Number : E248963

---

**CSA**  
 Approval Body : Canadian Standards Association  
 Test Standard : CAN/CSA-C22.2 No. 0-M91  
 CSA Std C22.2 No. 30-M1986  
 File Number : E237868

---

**TÜV SÜD ATEX**  
 Approval Body : TÜV Product Service TÜV SÜD Group  
 Test Standard : EN-60079-0:2004 EN60079-1:2004  
 EN-60079-1:2004/A1  
 Product Categories :  $\text{Ex}$  II2 G Ex d IIC T6  $-40^{\circ}\text{C} \leq \text{Ta} \leq 55^{\circ}\text{C}$   
 Certificate Number : TPS 08 ATEX 1 349 U